

286/287 Series - Square Base Time Delay Relay

SPDT - 3PDT, 10 Amp



The 286 on delay and 287 off delay are square base, bladed versions of time delay relays. Both AC and DC versions are available. On delays can have up to three poles. The timing circuit is a fully encapsulated precision RC (resistor – capacitor) network typically used in applications where oscillators are not desired. Fixed time and externally adjustable versions are available. The package on this series is typically socket mounted. It can also be panel mounted allowing direct connections to terminals with quick-connects or soldering.

GENERAL SPECIFICATIONS (@ 25° C)

Timing:	
Functions Available	On-delay, Off-delay
Time Range	Up to 300 seconds
Timing Adjustment	Knob
Timing Repeatability (Constant voltage and temperature)	3%
Reset Time maximum	150mS
Input Pulse Length minimum	50mS
Contacts:	
Contact Configuration	SPDT, DPDT, 3PDT
Contact Material	Silver Alloy
Contact Rating	10 Amp / 10 Amp
120 / 240VAC Resistive	10 Amp
28VDC Resistive	1/3Hp
Motor 120VAC	1/2Hp
Motor 240VAC	500mW
Minimum Contact Load	100 milliohms max @ 6VDC, 1A
Contact Resistance, Initial	
Coil:	
Coils Available	AC and DC
Nominal Coil Power	2.75VA 2W
Input Voltage Tolerance -AC	85% to 110% of nominal
Input Voltage Tolerance -DC	80% to 110% of nominal
Transient Protection	Yes
Reverse Polarity Protection	Yes
Duty	Continuous
Dielectric Strength:	
Across Open Contacts	500Vrms
Between Mutually Insulated Points	1500Vrms
Insulation Resistance	1,000 Mohms min @ 500VDC
Temperature:	
Operating	-20 to 70°C (-4 to 158°F)
Storage	-40 to 85°C (-40 to 185°F)
Life Expectancy:	
Electrical (full load operations)	100,000
Mechanical (no load operations)	10,000,000
Miscellaneous:	
Mounting Position	Any
Mating Socket	SK-SQB11-DS
Enclosure	Clear Polycarbonate
Weight	5.0oz (142 grams)



Timer / Sensor - Time Delay & Sensor Relays

5 - 25 Amp

Ordering Code 286 XAX C 001 F 120VAC

series
 286 - On delay
 287 - Off delay

Contact Arrangement
 XAX (SPDT) - (1 form C)
 XBX (DPDT) - (2 form C)
 XCX (3PDT) - (3 form C)

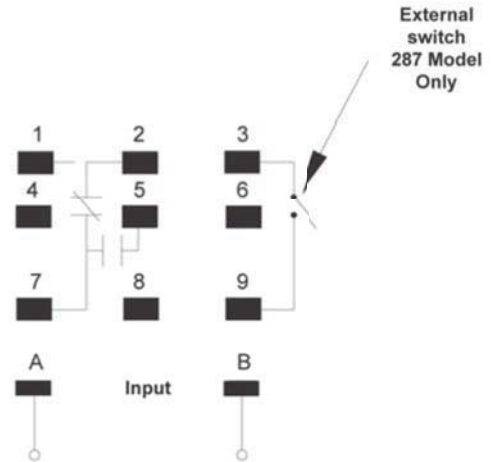
Mounting Options
 C - Plug-in
 C1 - Bracket
 CS1 - Top stud
 C2 - Side tapped hole
 CS2 - Side stud

Timing Ranges
 0.1 - 1.0 Seconds - CODE 001
 0.2 - 2.0 Seconds - CODE 002
 1.0 - 10 Seconds - CODE 010
 3.0 - 30 Seconds - CODE 030
 6.0 - 60 Seconds - CODE 060
 18 - 180 Seconds - CODE 180
 30 - 300 Seconds - CODE 300

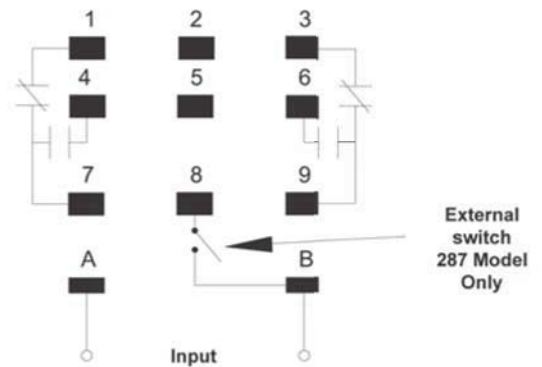
Adjustment Options
 Adjustment knob - No CODE
 Fixed - Specify fixed time - CODE F
 Remote adjustment - CODE R

Operating Voltage
 AC: 24, 48, 120, 240, (Add VAC)
 DC: 12, 24, 48, 115-125 (Add VDC)

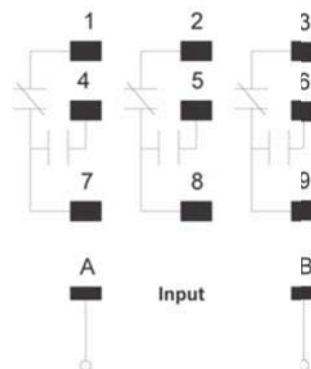
286/287 Wire Diagram



286XAX



286XBX
 287XBX



On delay
 286XCX

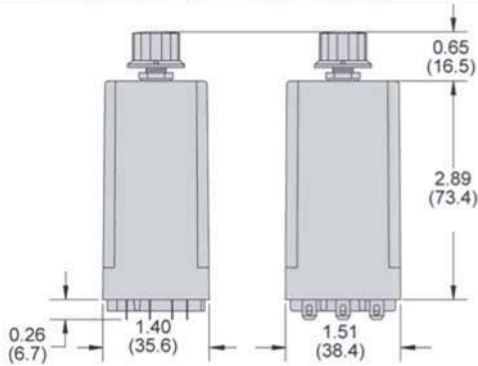
Section 7

286/287 Series - Square Base Time Delay Relay

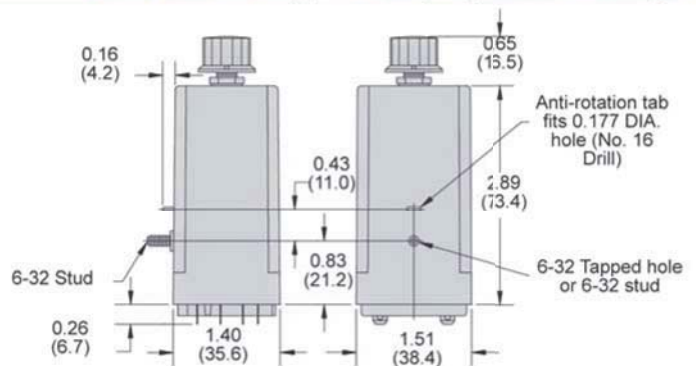
SPDT - 3PDT, 10 Amp

Max Outline Dimensions
Dimensions Shown in inches & (millimeters)

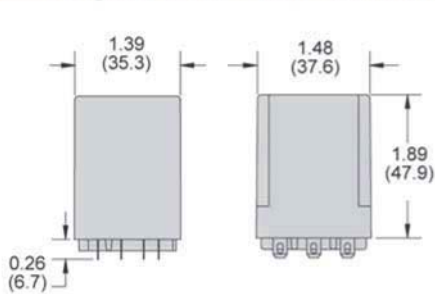
Plug-in, Adjustable Timing



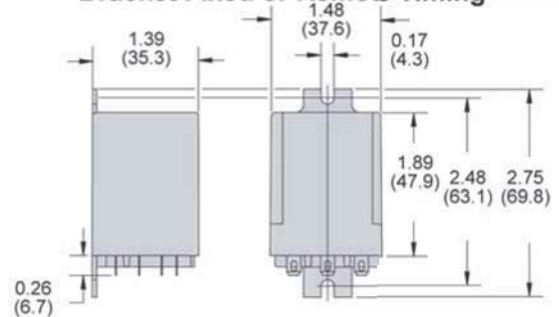
Side Stud or Tapped Hole, Adjustable Timing



Plug-in Fixed or Remote Timing



Bracket Fixed or Remote Timing



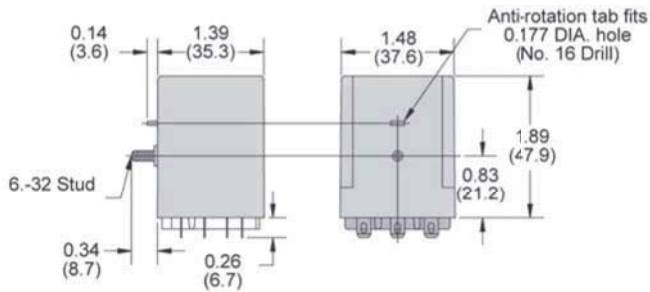
286 Series



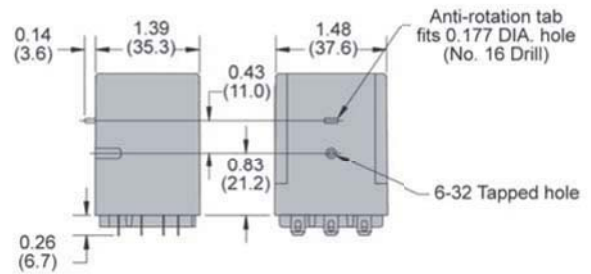
Timer / Sensor - Time Delay & Sensor Relays 5 - 25 Amp

Max Outline Dimensions Dimensions Shown in inches & (millimeters)

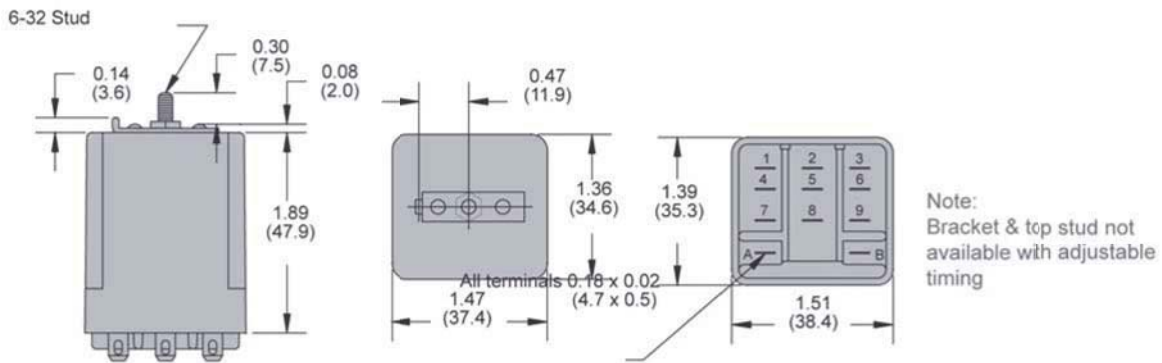
Side Stud, Fixed or remote Timing



Side Tapped Hole, Fixed or Remote Timing



Top Stud Fixed or Remote Timing



287 Series

